

CAT5 Breakout

Introduction

The CAT5 Breakout allows the use of standard CAT5, 5e or 6 to have full 10/100mbs Ethernet LAN and also the addition of Video and Telephone or Power through the same cable via the proper connector and wiring. This ideal solution to home wiring for LAN, telephone, door phone or front door video with low voltage power.

Specifications

RJ 45 - 10/100mbs Ethernet LAN 300 ft
RJ45 - Telephone 3000 ft or Power 12-52 V AC/DC
BNC Video 1500 ft
RJ45 CAT 5, 5e or 6 Cable

CAT 5 Cable Pin Out

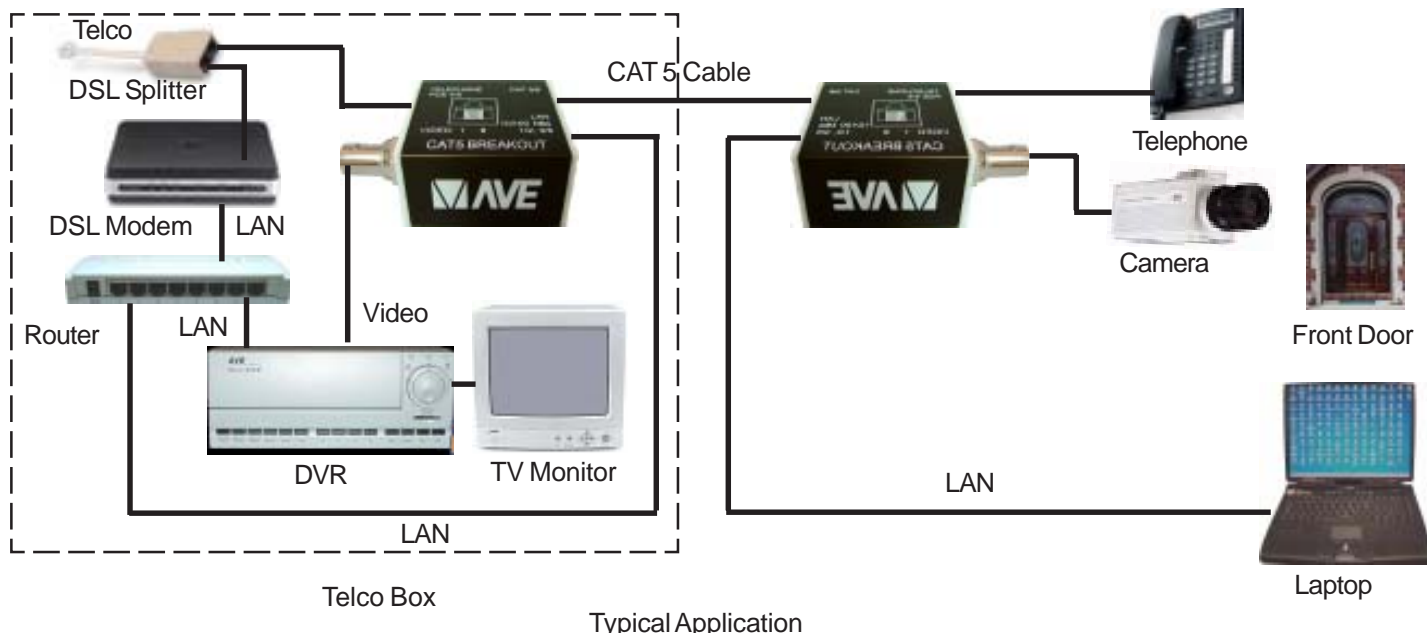
LAN - 1/2, 3/6
(Note: Not compatible with some POE devices)
Telephone or Power - 4/5
Video - 7/8

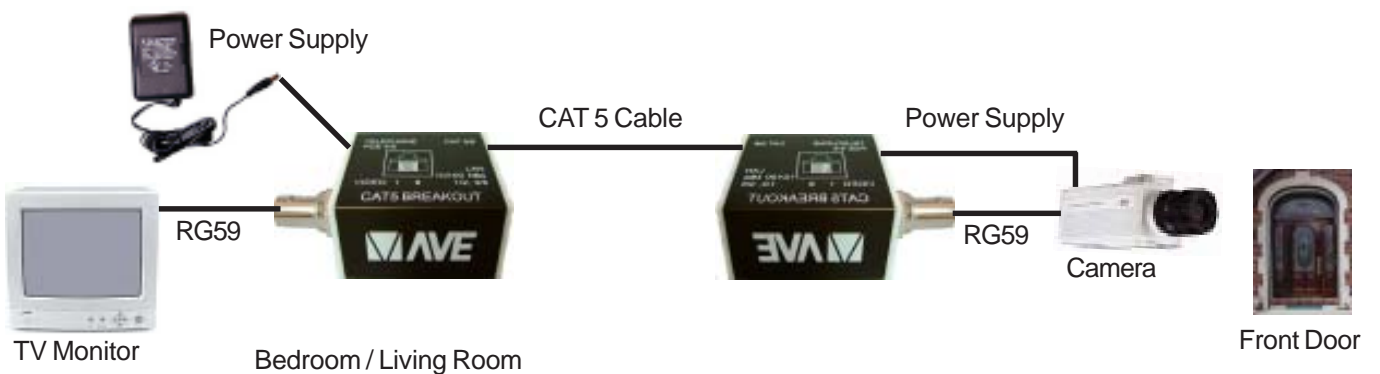
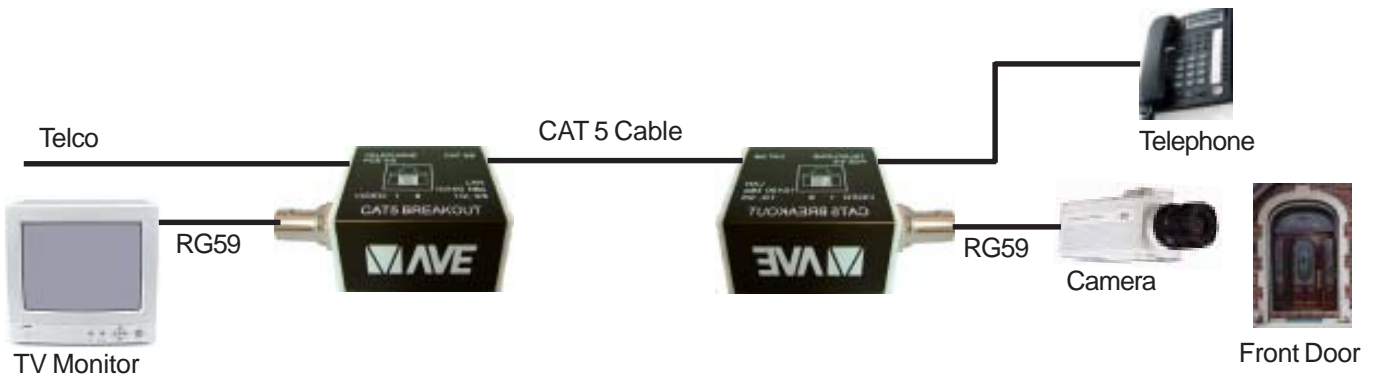
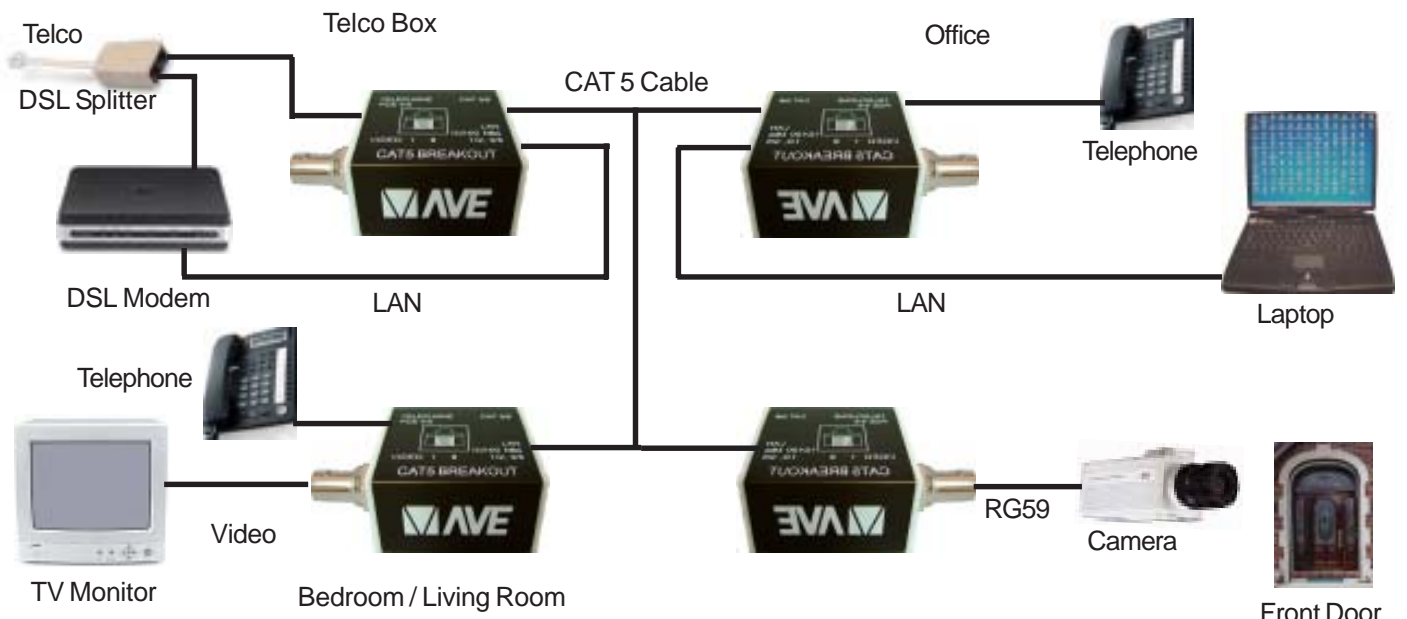
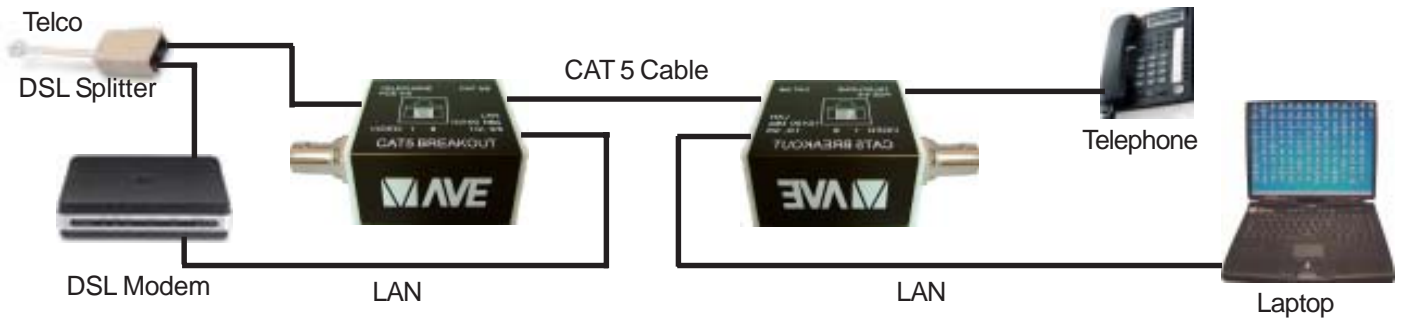
Applications

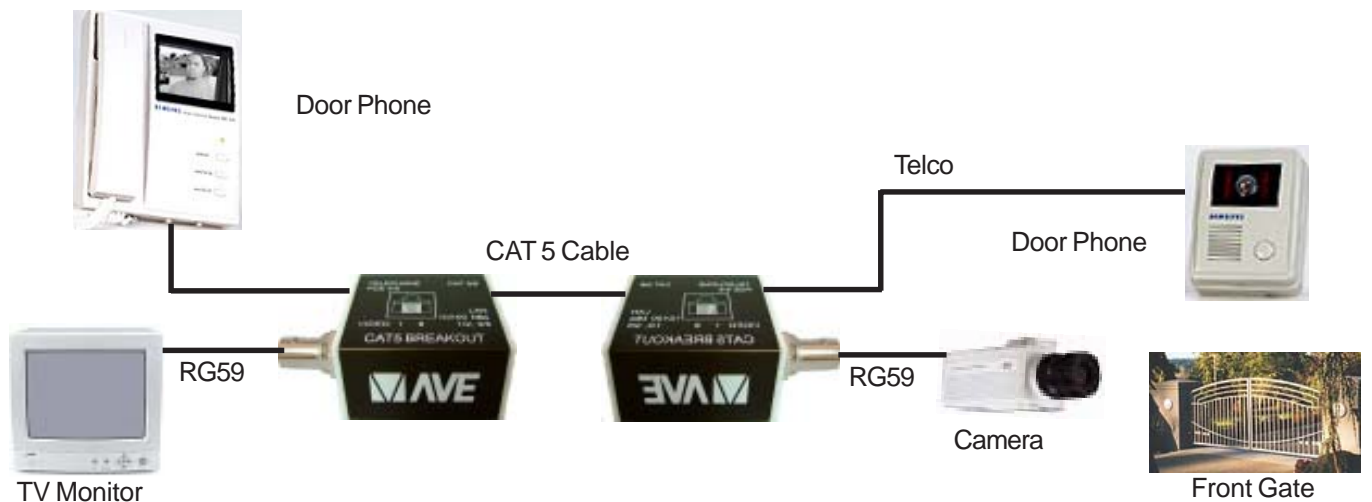
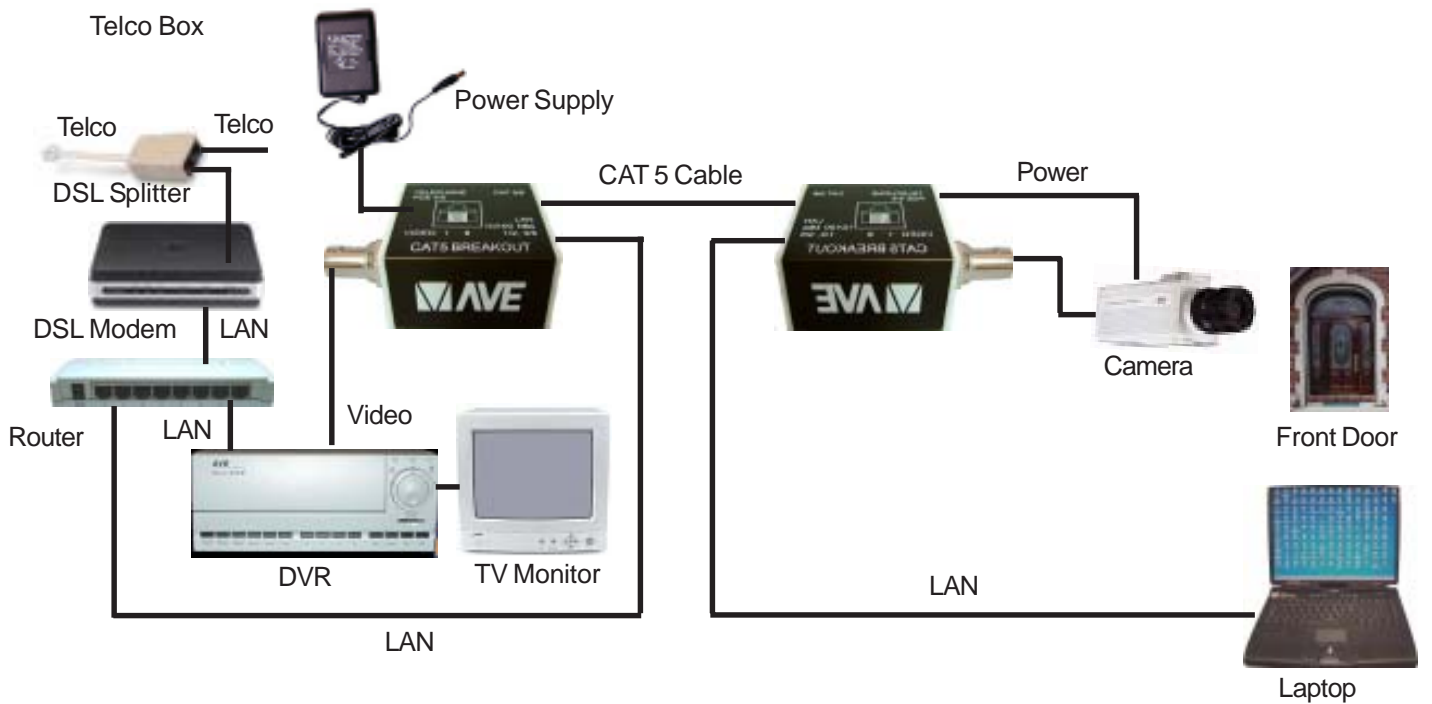
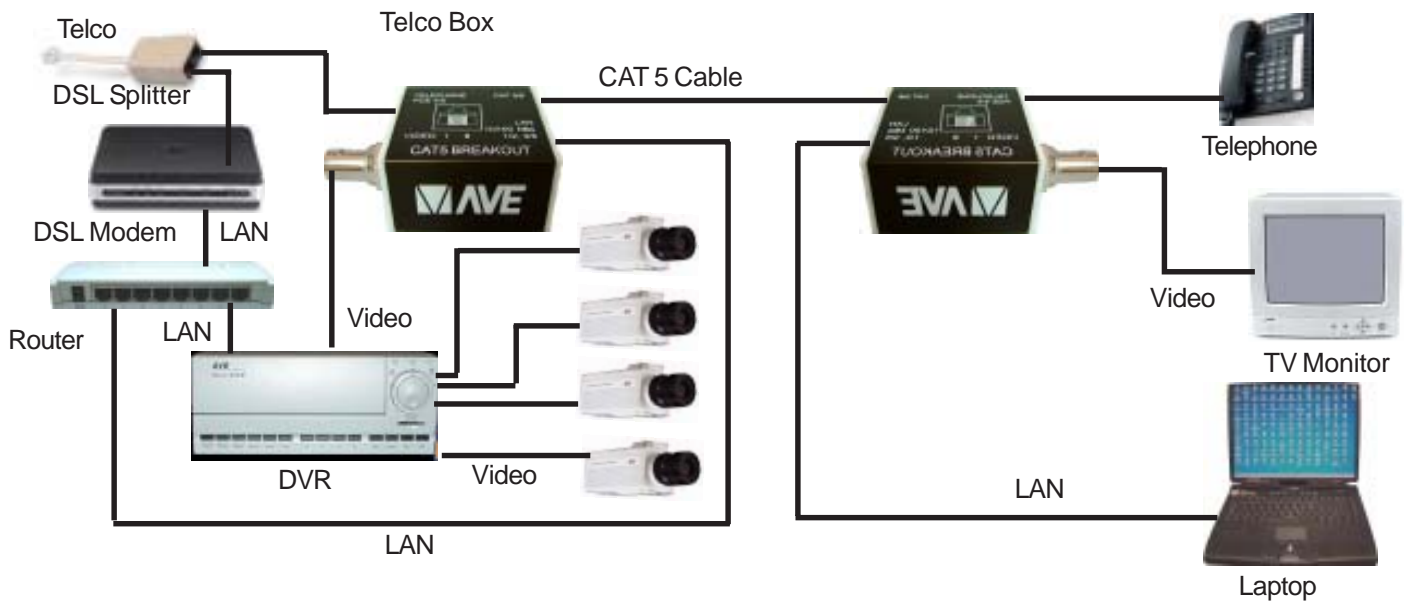
The video on the CAT5 cable is compatible with the entire AVE line of UTP products such as the UTP-1500, Hubs or Active Receivers. Therefore if the telephone / power port is not used then you can add another video camera using the UTP-1500.

The telephone /power connector is an RJ45 but any RJ11, RJ12 or RJ45 will fit into the connector. Pin 4 Tip and Pin 5 Ring only. If a second line is used then no connection will be made to the second line.

The Ethernet LAN RJ45 supports only 10/100mbs and only uses four wires. Therefore **NOT** compatible with Gigabit LAN or some POE systems. Many POE systems use pins 4/5 and/or 7/8 and are **NOT** compatible with the CAT5 Breakout device. POE systems that utilize pins 1/2 and 3/6 in conjunction with the Ethernet LAN **ARE** compatible.

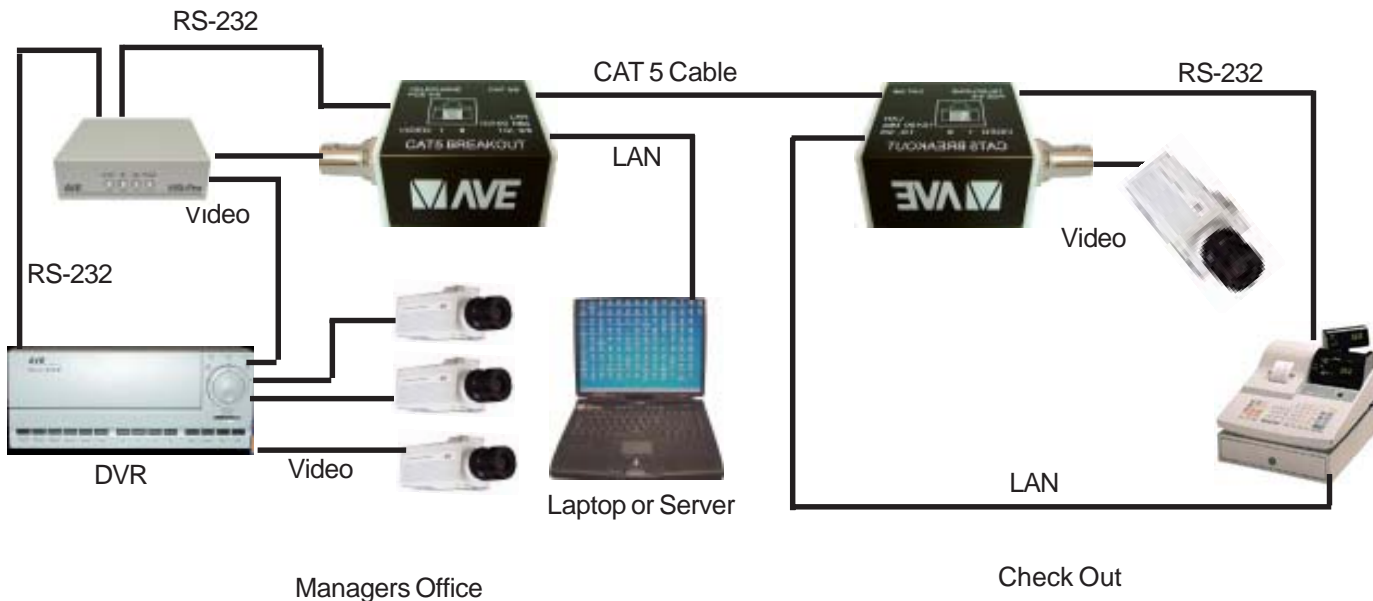






Retail Loss Prevention System

VSI-Pro
Cash Register Interface



Motion Detection Recording

